

SH TRUCK

Instructions for use



EN	Operating instructions	3
DE	Bedienungsanweisungen	28
FR	Instructions de fonctionnement	54
NL	Gebruiksaanwijzingen	80
IT	Istruzioni per l'uso	106
ES	Instrucciones de funcionamiento	132
PL	Instrukcje dotycz ce obsługi	159
HU	Használati útmutató	186
RU	Руководство по эксплуатации	213
LV	Norādījumi par ekspluatāciju	239
LT	Naudojimo instrukcija	264



Index

1	Safety Precautions and Warnings	4
2	Description	5
	2.1 Application	5
	2.2 Operation elements	5
3	Installation	6
	3.1 Temperature conditions	6
	3.2 Condition of distance	6
	3.3 Foundation / leveling	6
	3.4 Water connection	7
	3.5 Mains power connection	7
	3.6 High-pressure connection	8
	3.7 Venting	9
	3.8 Connecting to external fuel supply	10
4	Operation	11
	4.1 Connections	11
	4.2 Operation	14
5	Fields of Application and Working Methods	18
	5.1 Fields of application	18
	5.2 Working pressure	18
	5.3 Temperature	18
	5.4 Mechanical impact	18
	5.5 Detergents	19
	5.6 Working methods	20
	5.7 Typical cleaning tasks	21
6	Maintenance	22
	6.1 Hour counters	23
	6.2 Oil	23
	6.3 Water filter	24
	6.4 Cleaning of high pressure nozzle	24
	6.5 Fuel filter	24
	6.6 Disposable waste	24
7	Trouble Shooting	25
	7.1 General trouble shooting	25
	7.2 Error messages	26
8	Technical Data	27
9	Warranty	27



Symbols used to mark instructions



Before starting up your high-pressure washer for the first time, this instruction manual must be read through carefully. Save the instructions for later use.



Safety instructions marked with this symbol must be observed to prevent danger to persons.



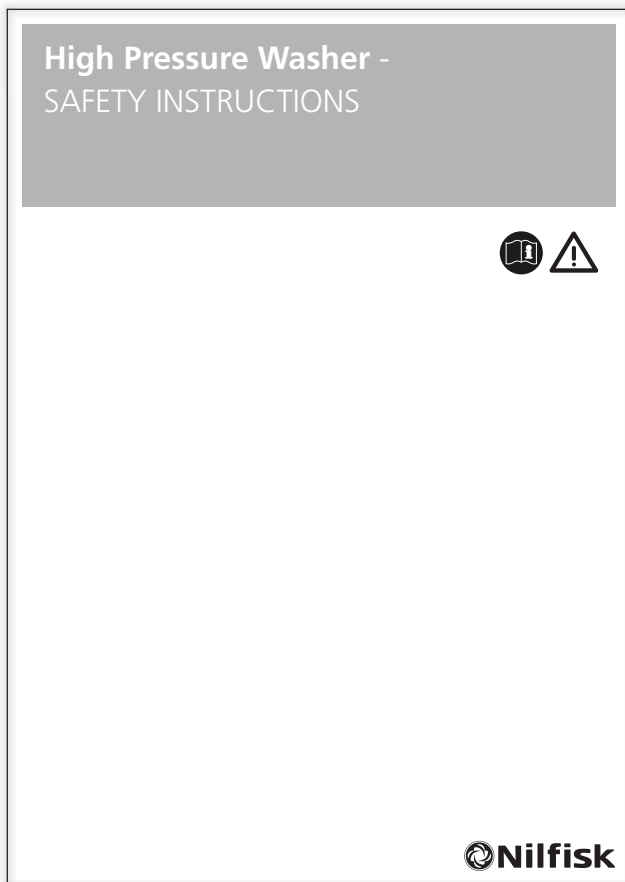
This symbol is used to mark safety instructions that must be observed to prevent damage to the machine and its performance.



This symbol indicates tips and instructions to simplify work and to ensure a safe operation.



1 Safety Precautions and Warnings



2 Description

2.1 Application

This high-pressure hot water washer has been developed for stationary installation and professional use within:

- light industry
- transport
- building and construction
- service

Section 4 describes how to use the high-pressure hot water washer.

Only use the high-pressure hot water washer for purposes described in this manual.

The safety precautions must be observed to prevent damage to the machine, the surface to be cleaned or severe personal injuries.

2.2 Operation elements

See illustration at the end of these operating instructions.

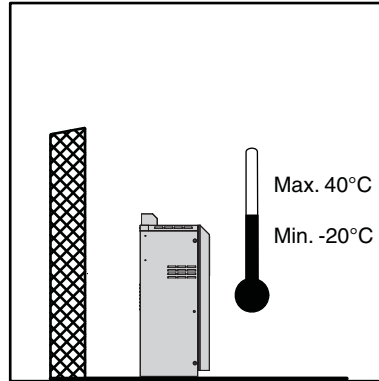


- 1 High-pressure outlet (quick coupling, male)
- 2 Main switch
- 3 Stop push button (red)
- 4 Start push button (green)
- 5 Heating ON/OFF push button
- 6 Pressure gauge
- 7 Water inlet
- 8 Thermostat (temperature adjustment)
- 9 Button for addition of detergents
- 10 Inspection window (hour counters, error messages)
- 11 Holder for spray lance
- 12 Dosing of detergent
- 13 Data plate
- 14 Lifting device
- 15 Holder for spray lance - frost protection, external (option, not standard)



3 Installation

3.1 Temperature conditions

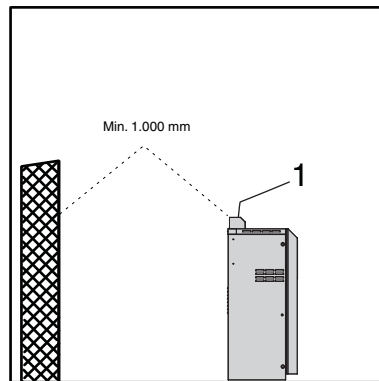
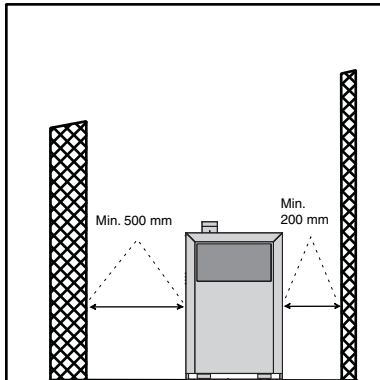


The machine has been constructed for outdoor placement. The min. ambient temperature for the machine is -20°C and the maximum ambient temperature is 40°C .



Note: Hose and spray lance are not frost resisting as a standard and must therefore be dismounted at temperatures below 0°C .

3.2 Condition of distance



In consideration of the cooling system of the machine and the accessibility of service, there must be free wall space on both sides of the machine. To the right 200 mm at a minimum, to the left 500 mm at a minimum and behind 300 mm.

The distance from the chimney outlet to inflammable material must be 1,000 mm.

The chimney (1) can be turned 180° by dismounting 4 pcs. M5 screws (under the top plate), turning the chimney and re-mounting the screws.

3.3 Foundation / leveling

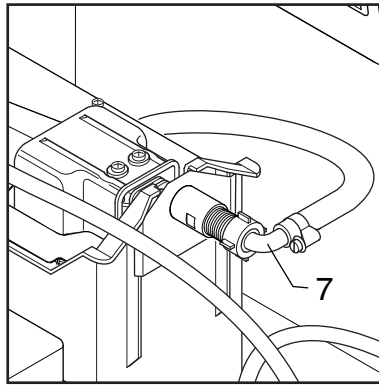
Place the machine on a plane floor.

Shape of foundation, see fold-out at the end of this manual.

Bolt the machine to the foundation through the 3 holes ($\text{Ø}12$ mm) in the bottom plate. Before fastening, the machine must be leveled.



3.4 Water connection



The water connection is made with a flexible hose connected to the water tank (7) of the machine.

The water hose can be lead in through:

1. The bottom plate
2. The punch-out pieces in the rear plate

(see foldout at the end of this manual).

Make sure that the supply hose is suited for the purpose (temperature and flow rate). If in doubt, contact your Nilfisk representative.

The connection can be made to a public drinking water supply network or a private water supply. Water quality: particle size $<50 \mu$. A shut-off cock should be mounted on the water supply network in the immediate vicinity of the machine. Make sure that the water supply is within the following specifications and that the water does not contain particles such as floating sand.

Min. water inlet pressure: 1 bar (at the required flow rate of the machine - see data plate).

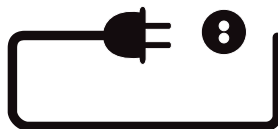
Max. water pressure: 10 bar

Max. water inlet temp.: 30°C.

All SH TRUCK feature a water tank, and no further protection against back-flowing water into the supply network is required. The machine complies with EN 1717.

If there is a risk of floating sand or other impurities in the inlet water, a sand filter (50 micron) should be mounted between the supply outlet and the internal filter of the machine.

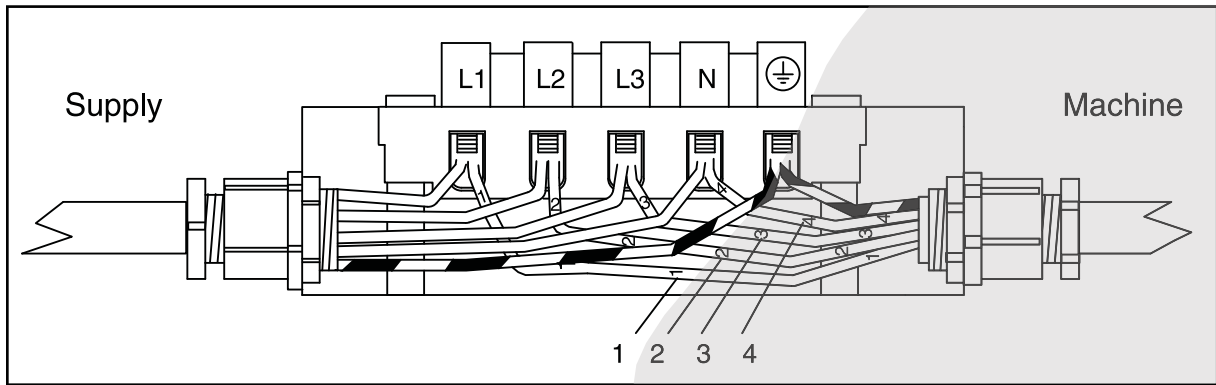
3.5 Mains power connection



CAUTION! An authorized electrician must perform the electrical connection of the machine to the main power supply. Refer to section “1 Safety precautions and warnings”.

The following precautions must be observed:

- Make sure that the supply cable is of the correct dimension (see voltage and load on the data plate of the machine) and is suitable for the specific environment.



The electric cable can be lead in through:

1. The bottom plate.
2. The punch-out pieces in the rear plate and through the relief ring into the junction box.

(see foldout at the end of this manual).

- Connect the phase cords of the supply cable to the connection terminals L1, L2 and L3. Connect the zero cord to N. For single phase machines use L1 and N to connect phase and zero cords.
- Connect protective earth wire to the earthing terminal.

- Check and measure the protective earth connection according to legislation.
- Connect the other end of the cable to an approved plugged socket outlet of a correct dimensioned main supply.

Make sure that the cable is properly guided and relieved between the fixed installation and the machine and that the cable is without any damage to the insulation.

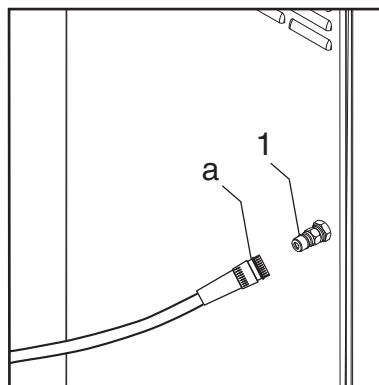
Also see notes in section **"1 Safety precautions and warnings"**!



Note: Beware that the electric cables of the machine are not mixed up. The wires 1, 2, 3,

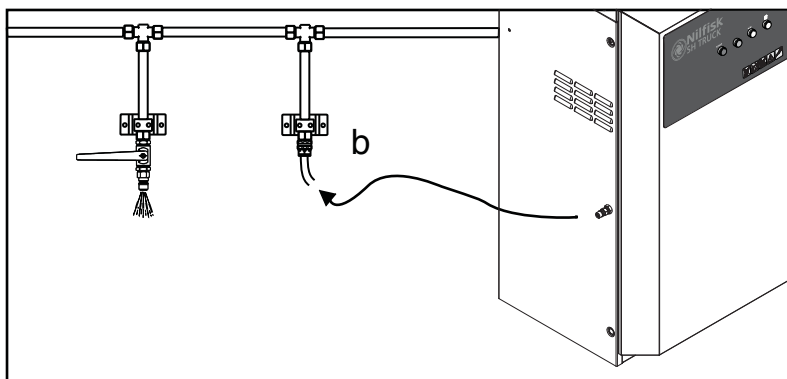
4 **MUST** keep the illustrated positions.

3.6 High-pressure connection



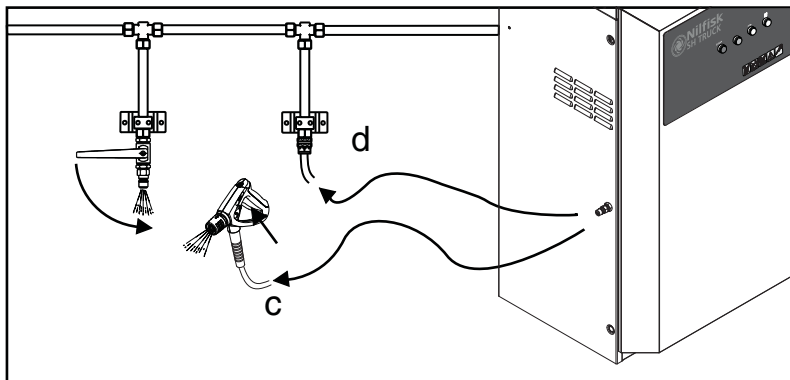
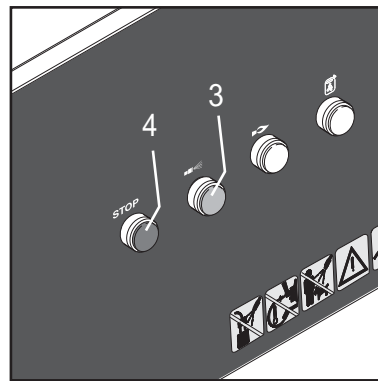
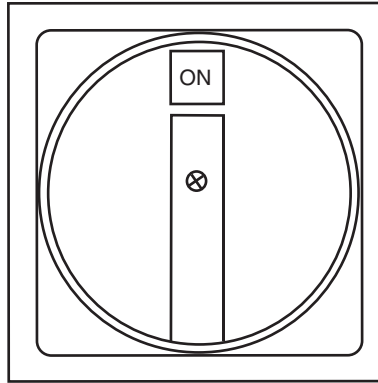
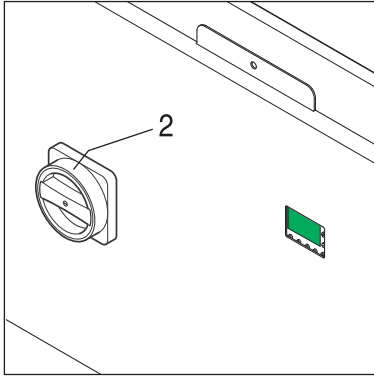
The outlet of the machine (1) can be connected directly to a standard high-pressure hose (a) or to a pipeline with fixed outlet points (b).

IMPORTANT: When connecting to a pipeline always use a flexible hose connection from the outlet of the machine (pos. 1) - order no. 6300843. Contact your Nilfisk distributor for further information.



It is recommended to let a service technician authorized by Nilfisk prepare the pipeline.

3.7 Venting



When the SH TRUCK is properly connected to supply water, electrical installation and a high-pressure hose (or pipeline) the high-pressure pump must be vented before it is operational.

1. Turn the main switch, (2) to position "ON".
2. Push the "START" button (3), and the SH TRUCK will start.
3. Open the outlet point (spray handle on high-pressure hose, (c) or outlet on piping system (d) without having a spray lance connected.
4. Let the water run until all air has escaped from the pump (even water flow).
5. In the case of a recently installed piping system, or if the pipeline and the pump have been emptied in any other way, the system should be vented by starting the pump and then letting the water run at each outlet point of the pipeline at turns. It is recommended to begin with the most distant outlet (height and/or length).
6. When connecting the high-pressure hose directly to the machine, starting the pump and activating the trigger of the spray handle without having attached the spray lance, should vent the system.
7. Stop the SH TRUCK by pressing the "STOP" push button (4).

The SH TRUCK is now vented.



3.8 Connecting to external fuel supply

The SH TRUCK can be connected to an external fuel supply. As a standard, the machine is supplied with a 40 l container.

Heating oil, DIN 51603-1 (without bio diesel) can be used.

Diesel according to EN 590 (up to 7% bio diesel) can be used with the following restrictions:

Maximum storage time in high pressure cleaner diesel tank: 1 month.



Diesel stored externally for more than 6 months is not allowed to be filled into Nilfisk high pressure cleaners.

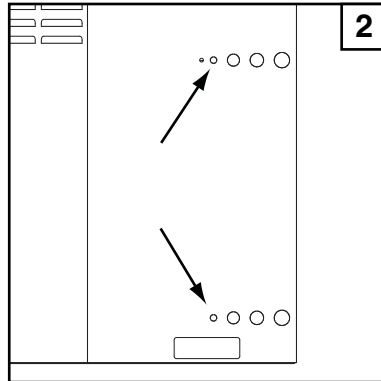
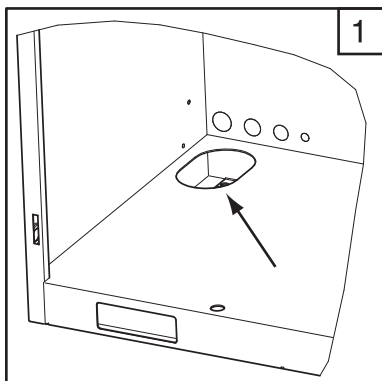
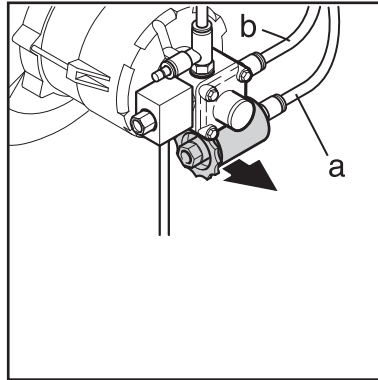
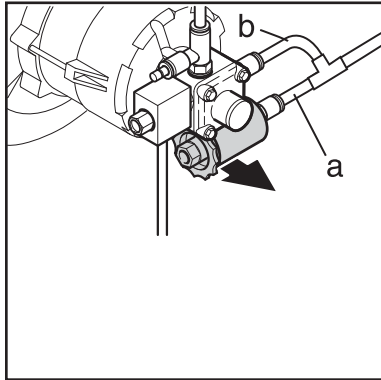
Diesel EN 590 is not recommended for use in HPW's at an ambient temperature below 0°C.

Diesel EN 590 from an open container must not be used.

You can choose between "one" and "two" -string connection, where "one"-string only has one supply hose (a) and "two"-string has an additional return hose (b) - see figure.

Please observe that in some countries only the "one" string system is approved.

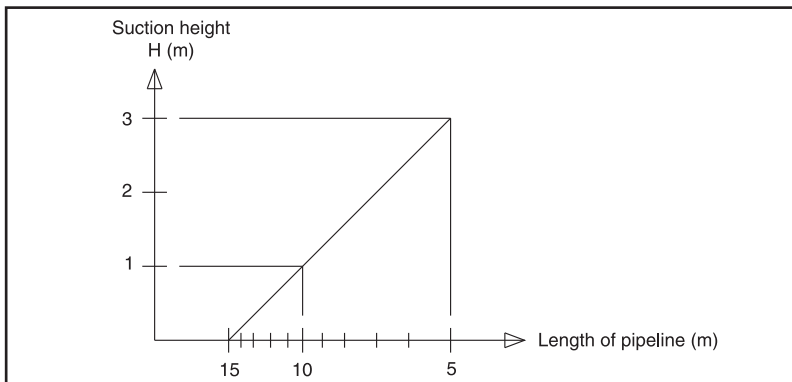
The fuel hose for the external fuel supply can be lead-in:



1. Through the bottom plate to the oil pump.
2. Through the punch-out pieces in the rear plate to the oil pump.

See foldout at the end of this manual.

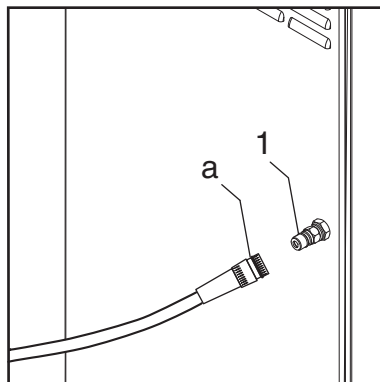
Please observe the following restrictions to fuel line.



4 Operation

4.1 Connections

4.1.1 High-pressure hose - directly on the machine



The Nilfisk high-pressure hose with imprinted max. working pressure and temperature should be attached to the outlet connection of the machine (1) by the quick coupling (a).

Max. extension hose: 50 m.

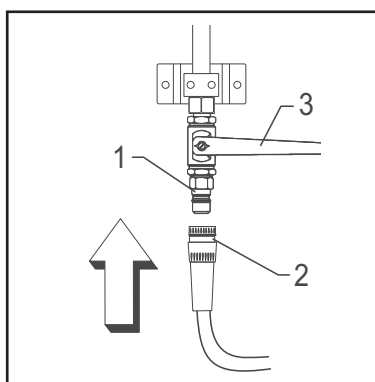


Danger of scalding!

Never dismount high-pressure hoses at water temperatures above 50°C.

IMPORTANT: Prior to dismounting the high-pressure hose, the machine should be stopped. Then activate the trigger of the spray handle to relieve the high-pressure hose of pressure.

4.1.2 High-pressure hose - to outlet point



In the case of a pipeline with fixed outlet points the high-pressure hose with imprinted working pressure and temperature should be attached to the nipple of the high-pressure cock (1) by the quick coupling (2). Upon attachment turn the handle of the high-pressure cock (3) to open position.



Danger of scalding!

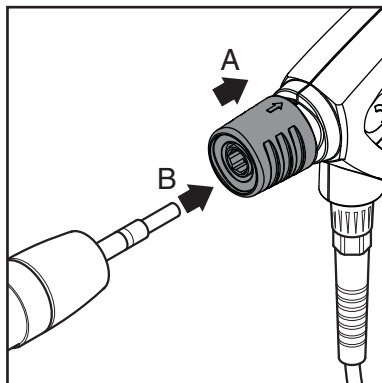
Never dismount high-pressure hoses at water temperatures above 50°C.

IMPORTANT: Prior to dismounting of the high-pressure hose or when changing to another outlet point the high-pressure cock should be carefully closed. Then activate the trigger of the spray handle to relieve the high-pressure hose of pressure.

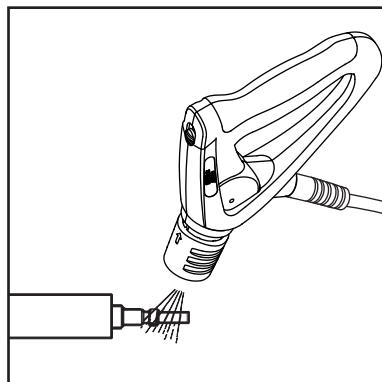

Pipeline, max. length:

Ø12 x 1,5 - max.	50 m
Ø15 x 1,5 - max.	180 m
Ø18 x 1,5 - max.	500 m

When using max. pipe lengths, only use a high-pressure hose of 10 m.

4.1.3 Spray handle - accessories


1. Pull the blue quick-release grip (A) of the spray handle backwards.
2. Insert the nipple of the spray lance (B) into the quick-release connection and release it.
3. Pull forward the spray lance or any other accessory to ensure correct mounting before starting the machine.


NOTE!

Clean nipple of any impurities each time the spray lance has been dismantled.

4.1.4 Selection of spray lance

You may use a double spray lance as well as a single spray lance with the machine. The recommended nozzle size of the lance is printed on the data plate of the machine – i.e. 0550. The max. pressure of the machine can be reduced by using nozzles with a wider diameter.

Never use lances with smaller nozzles (nominal value / diameter) than stated on the data plate.

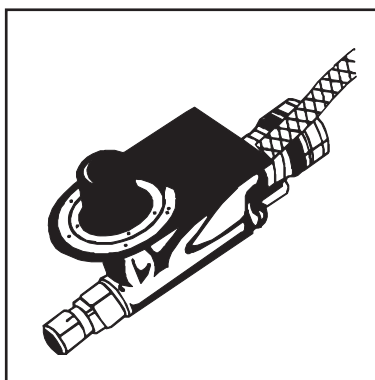


4.1.5 Application of detergents (external)

If you want to apply detergents or disinfectants these can be dosed to the water through an external injector. In conjunction with the injector it may be advantageous to use a wall rack on which spray lances, 2 pcs. of 25 l containers as well as 10 m high-pressure hose can be placed.

Refer to your Nilfisk sales representative for your optimal solution.

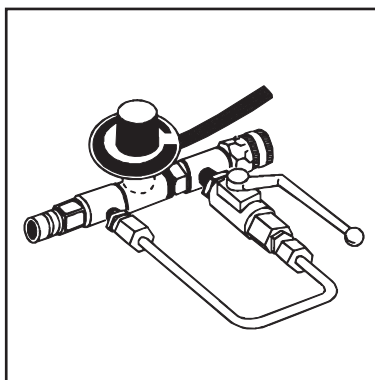
Below you will find various types of outlet points with injectors.



Outlet point with detachable injector

To be attached to the quick coupling of the high-pressure cock. To be used for dosing of low-foaming detergents or disinfectants.

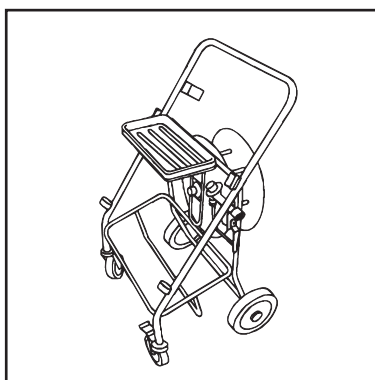
Dosage 1-8%.



Outlet point with detachable foam injector

To be attached to the quick coupling of the high-pressure cock. To be used in conjunction with foam lance for application of high-foaming detergents or disinfectants.

Dosage 1-5%.



Outlet point with cleaning trolley and foam injector

To be attached to the quick coupling of the high-pressure cock.

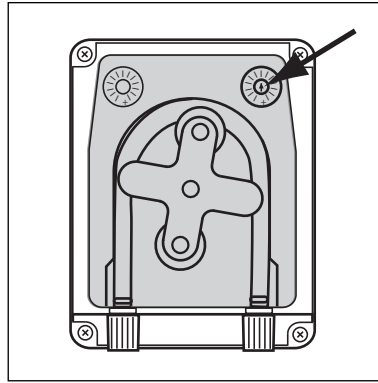
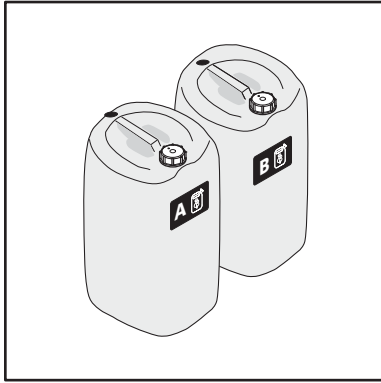
To be used in the same way as "Outlet point with detachable foam injector".

Makes it possible to place 4 spray lances, 2 pcs. of 25 l containers as well as 20 m high-pressure hose.



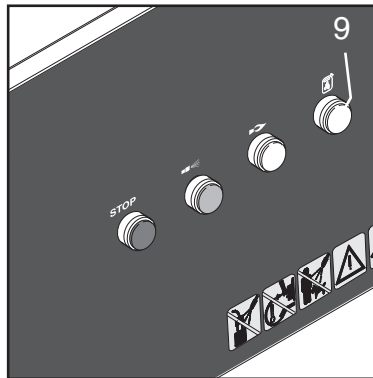
4.1.6 Application of detergents (internal)

If you want to apply a detergent, do as follows:



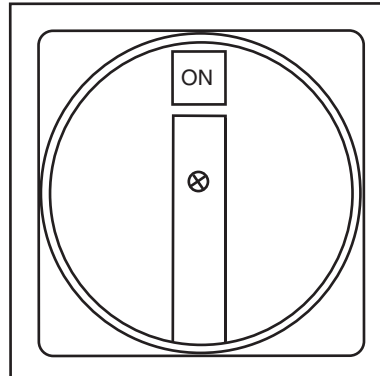
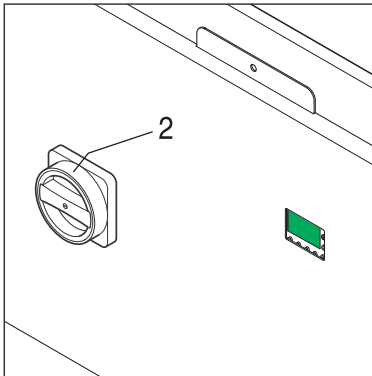
1. Fill a detergent into a 25 l container.
2. Turn the machine on, push the button for addition of detergents (9) and lay out detergent. The concentration of detergent can be adjusted on the detergent pump.
3. Turn off the addition of detergent by pushing the button (9).

NB: The PH value of the detergent should be between 5.8 – 8.5%. If you want to apply a detergent with another PH value, an external injector should be used (see section 4.1.5).



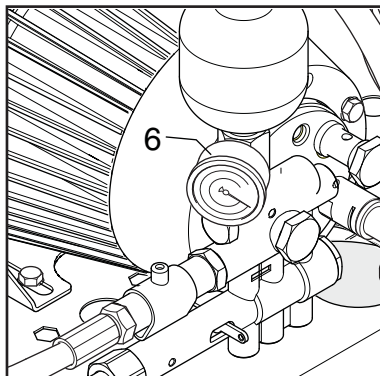
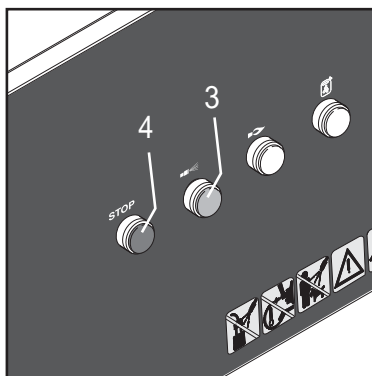
4.2 Operation

4.2.1 Starting up



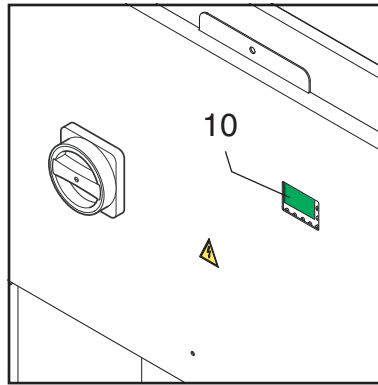
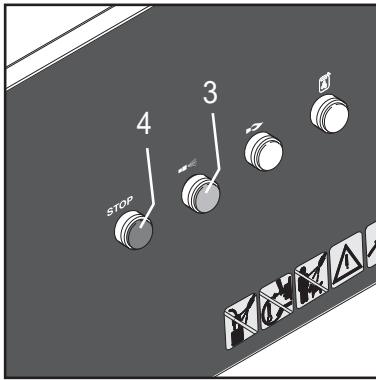
The shut-off cock on the water inlet should be open, and the spray handle on the high-pressure hose should be closed.

1. Turn the main switch (2) to position - ON -.
2. Push the green “START” push button (3).



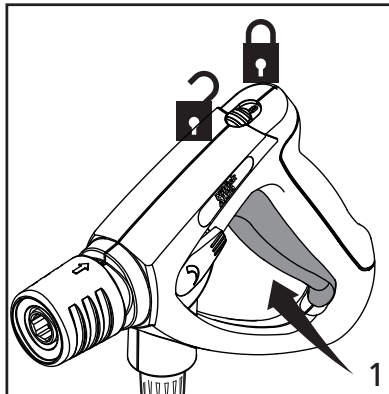
Check on the pressure gauge (6) that a pressure is being built up in the system and that the motor of the SH TRUCK stops within c 20 seconds with the green “START” push button (3) lit. The SH TRUCK is now in “Stand-by” mode waiting for the operator to activate the spray handle.

If a pressure is not being built up, vent the machine as described in sections 3.7 - 3.8 **Venting**.



If the motor of the SH TRUCK does not start or stops un-intendedly with the red “STOP” push button (4) flashing, an error is present. Read the error message through the “Inspection window” and refer to section “7 Troubleshooting”.

4.2.2 Operation - automatic start/stop



Always hold the spray lance with both hands!

The SH TRUCK is automatically started when the trigger (1) of the spray handle is activated and will automatically stop and enter standby mode when the trigger is released.

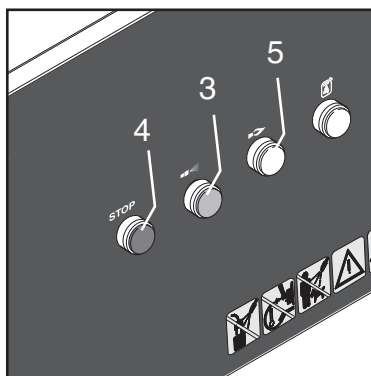
When the machine is not in use, the trigger should be locked with locking device.

4.2.3 Running with hot water

The SH TRUCK is equipped with a diesel unit to heat the water.

The diesel unit can be switched on or off at convenience by pushing the white “Heating” push button (5). Pushing the button once will turn on the light in the button and switch ON the diesel unit.

Pushing the button again will turn out the light in the button and switch OFF the diesel unit.



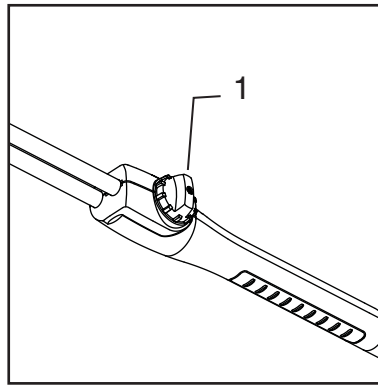
The temperature can be adjusted within the limits stated on the “Thermostat” (8), by turning the button to the desired value. When the diesel unit is ON (push button (5) alight), the control unit of the SH TRUCK will monitor the water temperature and regulate the diesel unit to provide the preset temperature.

If an error occurs to the heating system of the SH TRUCK, the machine stops and the red “STOP” push button (4) will start flashing and the diesel unit will be shut off. The SH TRUCK will continue to be functional with non heated water by pushing the green “START” push button (3).

In this case please refer to section “7 Troubleshooting”.



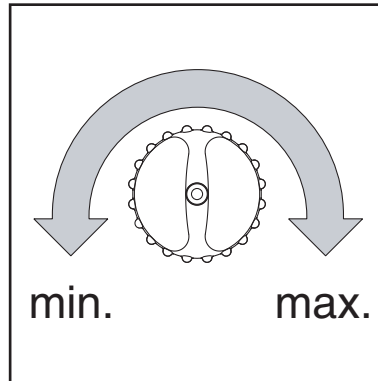
4.2.4 Double spray lance, pressure regulation



The spray lance features 2 nozzles, a high-pressure nozzle and a low pressure nozzle.

High-pressure mode

When the pressure reducing valve (1) is completely closed (turned clockwise - **B**), only the high-pressure nozzle is used - **high-pressure mode**.



Low pressure mode

When the reducing valve (1) is completely opened (turned counterclockwise - **A**), both spray lances are used - **low pressure mode** / possibility of dosing detergents.

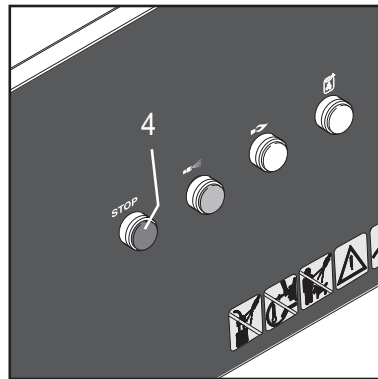
The pressure can be regulated between these positions.

4.2.5 Stop



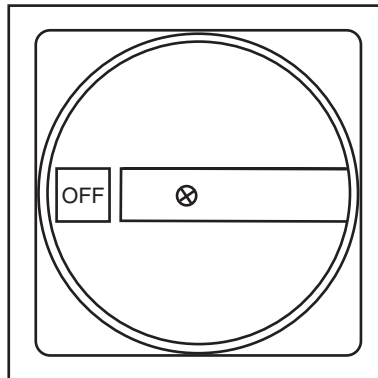
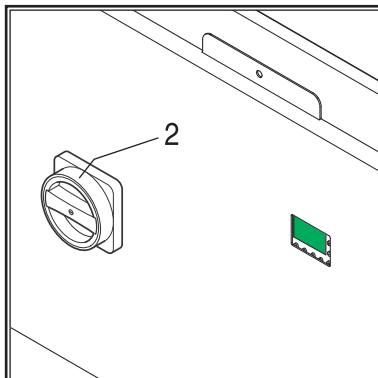
Danger of scalding!

Never detach high-pressure hoses at a water temperature above 50°C.



Never detach the high-pressure hose while the machine is in operation.

1. To stop the machine, push the red "STOP" button (4). The red light will come on. To disconnect the SH TRUCK completely from mains, turn the main switch (2) to position - **OFF** -.



2. Close the shut-off cock of the water inlet and activate the spray lance or open the high-pressure cock to relieve the pipeline / high-pressure hose of pressure.



4.2.6 Automatic “system shut-down”

Your SH TRUCK features a function called “system shut-down” that can be enabled by your Nilfisk service technician during installation or at a later time.

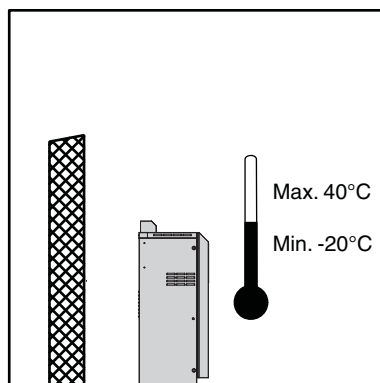
When enabled, “system shut-down” will automatically switch

OFF the SH TRUCK when it has not been used for a predefined time (from 1 sec. up to 9 hours) at your choice. Shut-down is disabled on delivery - please contact your Nilfisk service representative if you would like the function(s) to be enabled.

4.2.7 Frost protection, internal

The machine has been constructed for outdoor placement. The machine features a fan

heater automatically starting up when the temperature inside the machine gets too low.



The adjustment of the thermal sensor is effected in the electric box. On delivery the adjustment has been set at 5°C. This setting must not be lowered.

NB: The frost protection does NOT function if the machine has been turned off on the main switch.



IMPORTANT: For safety reasons, hoses, spray lances and other accessories should always be thawed prior to use.

4.2.8 Frost protection, external (Option, not standard)

This option ensures that hose, handle and spray lance does not freeze. After use the spray lance must be placed in the spray lance holder (pos. 15). Then turn off the machine on the front panel.

If the temperature is below the temperature set on the thermal sensor in the electric box, the

frost protection will start. Water will now circulate through hose, handle, spray lance and back to the machine.



IMPORTANT: The frost protection is not active, when the machine has been switched on (ready for operation).

EN 5 Fields of Application and Working Methods

5.1 Fields of application

The most important fields of application for this product are:

Transport	Cleaning of trucks, buses, cars etc.
Building & Construction	Cleaning of vehicles, equipment, buildings etc.
Light industry	Degreasing and cleaning of machines, workpieces, and vehicles.
Service	Cleaning of vehicles, public baths, institutions etc.

5.2 Working pressure

The high-pressure system may be used with high or low pressure at your own option:

Low pressure	Is first and foremost used for the application of detergents and for flushing.
High-pressure	Is used during the actual cleaning.
Intermediate pressure	As an example it may be used for the cleaning of surfaces which cannot stand a too powerful jet, i.e. soft surfaces.

5.3 Temperature

Hot water significantly increases the efficiency of the cleaning process – especially grease, oils and fats can be broken down more easily at higher temperatures.

Temperatures up to 60°C should clean off proteins, such as blood substances.

Oil and traffic film should be exposed to app. 70°C, whereas grease and fat is easiest to remove with temperatures of 80 to 85°C.

Several detergents become more efficient when acting with hot water – please refer to manufacturers recommendations.

5.4 Mechanical impact

In order to break down tough layers of dirt, additional mechanical impact may be required. Special lances with special nozzles (pulsating jet /

concentrated "0" jet) are available for such purposes as are rotating brushes plus soft & sand blasting equipment.

Please ask your Nilfisk representative.



5.5 Detergents

As standard the system is delivered without a detergent injector and the optional, factory mounted, internal chemical system.

If you want to use detergents or disinfectants these should be dosed through an external injector (see section 4.1.5) or through the pump (see section 4.1.6).

The most efficient cleaning is reached with detergents in conjunction with the high-pressure cleaning. For that purpose Nilfisk can offer you a series of products specially developed for high-pressure cleaning, among other fields within:

- Cleaning of vehicles, machines, stalls etc.
- Disinfection
- Degreasing of workpieces
- Descaling

The products are water-based, without phosphates, and the applied tensides (surface active substances) comply with the present requirements for easy biodegradability.

Contact your Nilfisk distributor for directions as to which product(s) will fulfill your requirements.

The method of application and the dosage of the individual products appear from the product labels or the data sheet.

Low-foaming detergents are applied through an injector and under low pressure. A change to cleaning under high-pressure is effected by regulating from »low pressure mode« to »high-pressure mode« on the double spray lance or by attaching a high-pressure spray lance.

For foam cleaning you will have to attach a special foam equipment. Insert the suction hose of the injector into the foam detergent.

Attach the foam lance on the spray handle and now you are ready for foam application. Upon the application open the by-pass cock of the foam injector and replace the foam lance by a spray lance, and you are ready for cleaning.

General rules for addition of detergents

Nilfisk cleaning equipment can be used for all detergents and disinfectants, which are suitable for high-pressure cleaning according to the prescriptions of the supplier. (If using external injector, section 4.1.5, the pH-value should be between 4 and 14. If using addition of chemicals through the high-pressure pump, section 4.1.6, the pH-value MUST be between 5.5 and 8.5). Acid and lye should not be applied in a concentrated form.

Carefully observe the prescriptions and guidelines of the supplier, also the rules concerning safety clothing and drainage facilities.

Detergents, which are not exactly prescribed for use in conjunction with high-pressure cleaning, **must only** be used upon a previous approbation from Nilfisk and the supplier.

The use of Nilfisk detergents ensures that machines, accessories and detergents match, which is the condition of an optimal solution of a cleaning task.

Nilfisk can offer you a wide range of efficient agents for cleaning and disinfection. The products are composed of substances, which combine efficiency and environmental considerations at one and the same time.



5.6 Working methods

Your high-pressure hot water washer has been developed for cleaning according to the so-called »2-step method«.

However, your high-pressure hot water washer must be equipped with an external detergent injector.

STEP 1

Application of detergent - soaking.

STEP 2

High-pressure cleaning.

In practice the working process is laid down in accordance with the actual job, but as a starting point the following working method can be described for a job:

1. Apply detergent under low pressure. The dosage is chosen according to the job, which is to be carried through, and the adjustment is made on the dosing unit.
2. Await acting time. Let the detergent act on the dirt/surface for a short time prior to pressure cleaning - usually a few minutes.
3. High-pressure cleaning. Clean all surfaces under high-pressure.
4. Rinse afterwards, if necessary. To make sure that residual impurities are removed from the surface.

In connection with the working process the optimum cleaning will be reached by following these 3 pieces of advice:

Advice no. 1

When using a detergent, usually always apply it on a dry surface. If the surface is rinsed with water at first, it may be difficult for it to absorb the detergent, and the result is a reduced effect of the detergent.

Advice no. 2

When applying a detergent on large vertical surfaces (i.e. the sides of a truck) work from below and upwards. Thus you will avoid the detergent running off the surface through grooves and dark streaks appearing on the surface whilst cleaning.

Advice no. 3

During the high-pressure cleaning you should work so that the high-pressure water does not run over the surface which has not been cleaned yet. This is to ensure that there is sufficient detergent on the surface when the high-pressure water hits the surface.



5.7 Typical cleaning tasks

5.7.1 Vehicle

Task	Accessories	Method
Machinery Tractors Ploughs etc.	Detergent injection Powerspeed lances Curved lances and underchassis washers Brushes	<ol style="list-style-type: none"> 1. Apply detergent to vehicle or equipment surfaces in order to soften up dirt and grime. Apply from bottom to top. 2. Proceed with cleaning using the high-pressure lance. Clean again from bottom to top. Use accessories to clean in difficult to reach places. 3. Clean fragile areas such as motors, rubber at lower pressure levels to avoid damage.
Vehicle body-work	Standard lance Detergent injection Curved lances and underchassis washers Brushes Detergents Active Shampoo Active Foam Sapphire Super Plus Active Wax Allosil RimTop	<ol style="list-style-type: none"> 1. Apply detergent to vehicle or equipment surfaces in order to soften up dirt and grime. Apply from bottom to top. In cases of particularly dirty vehicles, pre-spray with a product such as Allosil in order to remove traces of insects etc, then rinse at low pressure and apply normal car cleaning detergent. Let detergents settle for 5 minutes before cleaning off. Metallic surfaces can be cleaned using RimTop. 2. Proceed with cleaning using the high-pressure lance. Clean again from bottom to top. Use accessories to clean in difficult to reach places. Use brushes in order to add a mechanical cleaning effect. Short lances can help for cleaning of motors and wheel arches. Curved lances or under-carriage washers can be valuable for the cleaning of car under-chassis and wheel arches. 3. Clean fragile areas such as motors, rubber at lower pressure levels to avoid damage. 4. Apply a liquid wax using the pressure washer in order to protect the bodywork from pollution.



5.7.2 Building and equipment

Task	Accessories	Method
General surfaces Metallic equipment	Foam injectors Standard lance Curved lances Tank cleaning head Detergents Intensive J25 Multi Combi Active Alkafoam Disinfectant DES 3000	<ol style="list-style-type: none"> 1. Apply thick foam over the surfaces to be cleaned. Apply on dry surfaces. Apply from top to bottom on vertical surfaces. Let the foam act for up to 30 minutes for the optimal effect. 2. Proceed with cleaning using the high-pressure lance. Use applicable accessories. Use high-pressure to dislodge large amounts of incrustated dirt or grime. Use lower pressure and high water volume in order to rapidly flush away loose dirt and rinse surfaces. 3. Apply DES 3000 disinfectant once the surfaces are perfectly clean. <p>Areas covered by amounts of loose dirt, such as animal remains in slaughterhouses, can be removed by using high water flow to flush away the dirt to evacuation pits or drains.</p> <p>Tank cleaning heads can be used to clean barrels, vats, mixing tanks etc. Cleaning heads may be hydraulically or electrically powered and give the possibility for automatic cleaning without a constant user.</p>
Rusted or damaged surfaces prior to treatment	Wet sand blasting equipment	<ol style="list-style-type: none"> 1. Connect the sand blasting lance to the pressure washer and place the suction tube in the sand. 2. Always wear protective equipment during sand blasting. 3. Spray the surfaces to be treated with the mix of water and sand. Rust, paint etc will be stripped off.

These are merely several examples of cleaning tasks that can be solved by a pressure washer in association with accessories and detergents. Each cleaning task is different. Please consult your local dealer or Nilfisk representative in order to discuss the best solution for your own cleaning tasks.

6 Maintenance

To ensure the most optimal maintenance of your SH TRUCK, you should consider making a "Service Contract" with Nilfisk. In this way your SH TRUCK will always be ahead of potential problems.

Though paying attention to a few things will ensure a prolonged and reliable operation of your SH TRUCK.

Therefore it will be a good idea to make a habit of the following:

Prior to attaching the high-pressure hose, the quick couplings should be cleaned of dust and sand. Flush if necessary. This will prevent a clogging up of the nozzle.

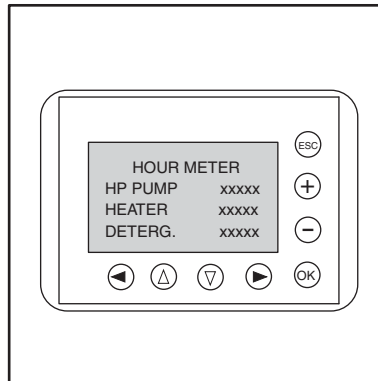
Prior to attaching the spray lance or other accessories to the spray handle, the machine should be started and the quick coupling cleaned of dust and sand.



Maintenance Schedule

	Weekly	After the first 50 operating hours	Every six months or 500 operating hours	As required
6.2 Checking pump oil level	●			
- Changing pump oil		●	●	
6.3 Cleaning water filter	●			●
6.5 Fuel filter		●		●

6.1 Hour counters

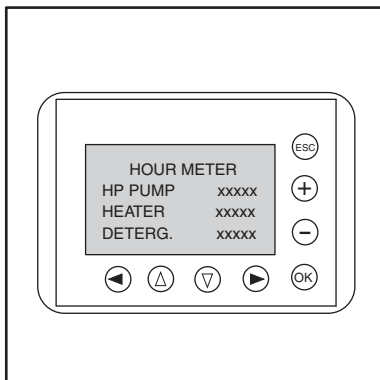


Your SH TRUCK features built-in hour counters that keep track of the number of working hours on your machine.

By depressing the button "Heating ON/OFF" (5) to switch off the heating and then depressing the red "STOP" button (4) and keeping it depressed, you will be able to see the number of working hours of the high pressure pump, the heating system and the detergent pump through the inspection window (10).

Letting go of the "STOP" button will switch off the hour counter display again.

6.2 Oil



Your SH TRUCK is equipped with an electronic "oil sensor", which monitors the level of lubricant oil in the high-pressure pump. If the oil level (by malfunction or excessive wear) should drop to a low level, your SH TRUCK will stop. The red light flashes. The display shows hour counters.

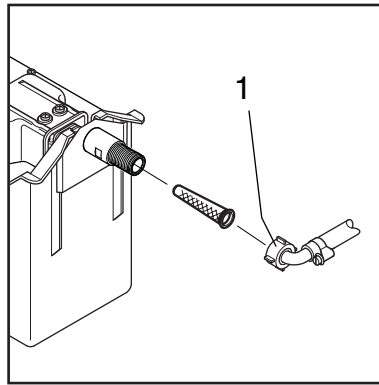
Topping up the oil cup of the pump will be possible, but you should send for a Nilfisk service technician as soon as possible to disclose the cause of the oil loss.

PROTECT THE ENVIRONMENT

Waste oil and oil sludge must be removed as laid down in the instructions.



6.3 Water filter



To avoid debris entering the water tank and the high-pressure pump, a water filter is fitted at the water inlet of the water tank. Dependent on the purity of the water, this filter will have to be cleaned at regular intervals.

The filter can be removed when the union nut (1) has been unscrewed.

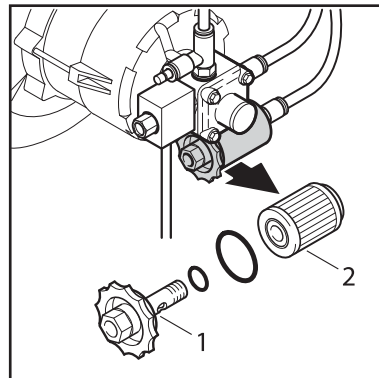
6.4 Cleaning of high pressure nozzle

A clogging up in the nozzle will cause the pump pressure to increase above normal operating pressure, and cleaning of the nozzle is required immediately.



1. Stop the cleaner and detach the spray lance.
2. Clean the nozzle with the cleaning tool.
IMPORTANT: ONLY use the cleaning tool when the spray lance is detached.
3. Flush the spray lance backwards with water.
4. If the pressure is still too high, repeat items 1-3.

6.5 Fuel filter



Open the door to gain access to the fuel pump.

Clean filter:

1. Unscrew filter cap (1).
2. Clean/replace fuel filter (2).
3. Dispose of cleaning solution/damaged filter in accordance with the disposal regulations.

6.6 Disposable waste

This high-pressure hot water washer consists of parts, which can affect the environment when thrown away. Parts that can pollute are as follows:

Oil, painted/zinc-coated parts, plastics/plastic-coated parts. Therefore, it is important to follow the laws concerning the removal of polluting and dangerous materials when replac-

ing spare parts or disposing of high-pressure hot water washer.

It is recommended that you bring the rejected parts to waste disposal areas or recycling plants that are approved for the destruction of these types of materials.



7 Trouble Shooting

You have chosen the best quality and therefore deserve the best service. The SH TRUCK features an “Error detection system” that will stop the SH TRUCK in case of a severe error that needs immediate attention. The red light of the STOP button will flash, and the display in the inspection window will indicate the nature of the error.

Though the user can correct some of these errors, you should note the error and contact the nearest Nilfisk service organization. To avoid unnecessary disappointments, you should check this section before contacting the nearest Nilfisk service organization.

7.1 General trouble shooting

Symptom	Reason	Action
Machine will not start (NO ERROR indication)	<ul style="list-style-type: none"> > A fuse has blown > Power disconnected 	<ul style="list-style-type: none"> • Change the fuse. • Connect power.
Fuses blow	<ul style="list-style-type: none"> > Installation does not correspond to the ampere consumption of the machine 	<ul style="list-style-type: none"> • Change to an installation corresponding to the ampere consumption of the machine at a minimum. • Change the fuse.
Working pressure too low	<ul style="list-style-type: none"> > Nozzle worn > Wrong spray lance > Reduction valve of spray lance not adjusted to max. pressure. > Nozzle partly clogged up 	<ul style="list-style-type: none"> • Replace the nozzle. • Replace the spray lance (see section 4.1.4). • Turn reduction valve completely counter-clockwise (see section 4.1.4). • Clean the nozzle (see section 6.4).
Working pressure fluctuating	<ul style="list-style-type: none"> > Insufficient water supply > High-pressure hoses too long > Air in the system > Detergent container empty 	<ul style="list-style-type: none"> • Check that the water tank is not drained of water during operation of the machine. If it is, clean the water inlet filter of the machine. If that does not solve the problem, the water supply for the machine is insufficient. NB! Avoid long, thin hoses (min. 3/4"). • Dismount high-pressure extension hoses and retry. Extension hose max. 50 m. NB! Avoid long extension hoses with many couplings. • Vent the system (see section 3.7). • Refill or close dosing valve.



Symptom	Reason	Action
No working pressure	> Water inlet filter clogged up	• Clean filter (see sect. 6.3).
	> Nozzle clogged up	• Clean nozzle (see sect. 6.4).
	> No inlet water	• Check that the shut off cock of the water inlet is open. Check that the water supply meets the requirements (see section 3.4).
	> High-pressure cock of outlet point open	• Close all high-pressure cocks not in use.
Machine starts and stops	> Leaky hose/ pipeline/spray handle	• Repair leak.

7.2 Error messages

If your SH TRUCK does not heat the water although the white “Heating” push button (5) has been activated, the “overheat melting fuse” has blown. This fuse is located within the machine and **MUST ONLY** be exchanged by an Nilfisk service technician.

Error Message (red STOP light flashing)	Reason	Action
E1	> Lack of water	• Check your water supply – open?, sufficient pressure? • Check and clean inlet filter, section 6.3.
	> Declutching of thermal relay or motor winding protector	• Check ventilation. • Check fuses.
	> Defective or mal-adjusted flow sensor / pressure switch	• Call Nilfisk service.
Flow failure E4	> Defective or mal-adjusted flow sensor	• Call Nilfisk service.
No flame detected E5	> No flame is detected when it should be present	• Check your fuel supply, and refill is necessary.
	> Fuel filter clogged	• Call Nilfisk service.
	> Flame sensor soothed or defective	• Call Nilfisk service.
Illegal flame detected E6	> Flame detected when it should NOT be present	• Flame sensor not mounted in place. Mount sensor.
	> Flame sensor defective	• Call Nilfisk service
Red STOP light flashing Display shows hour counters	> Shortage of oil in h.p. pump	• Top up with oil.

8 Technical Data

Model		SH TRUCK 7P-175/1260		SH TRUCK 5M-180/970		SH TRUCK 5M-85/850	
Pump pressure ¹⁾	bar	175	180	85			
Water volume, min./max. pres.	l/min	21/19.5	16.1/15.5	14.1/13.3			
Water tank, volume	liter	3	3	3			
Water connection:							
Max. pressure, feed water	bar	10	10	10			
Min. pressure, feed water	bar	1,0	1,5				
Max. temperature, feed water	°C	30	30	30			
Spray lance:							
Nozzle type, h. p./l.p.		0680	0550	0700			
Thrust, max.	N/kp	49/4.9	43/4.3	25/2.5			
Pipeline, max. length	m	Ø12 x 1.5 - max. 50					
	m	Ø15 x 1.5 - max. 180					
	m	Ø18 x 1.5 - max. 500					
When using max. pipe length, only use a high pressure hose of 10 m.							
Sound pressure level L _{PA} measured in accordance with ISO 11202 [DISTANCE 1m] [FULL LOAD]:	dB(A)	76	75.5	71.5			

¹⁾ 10 m (3/8") high pressure hose.

Data at 12°C hot feed water.

We reserve the right to make alterations.

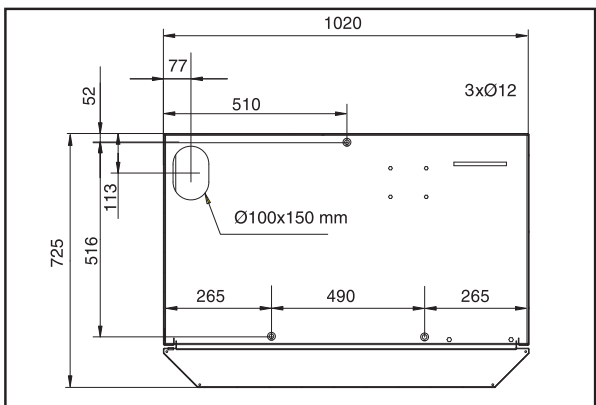
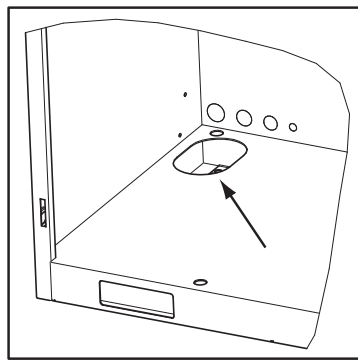
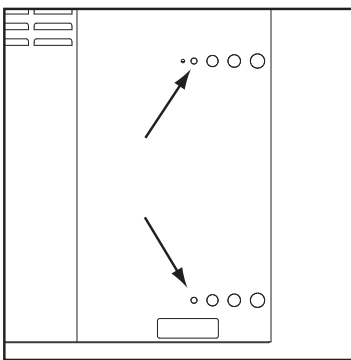
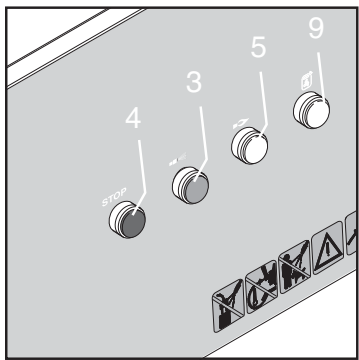
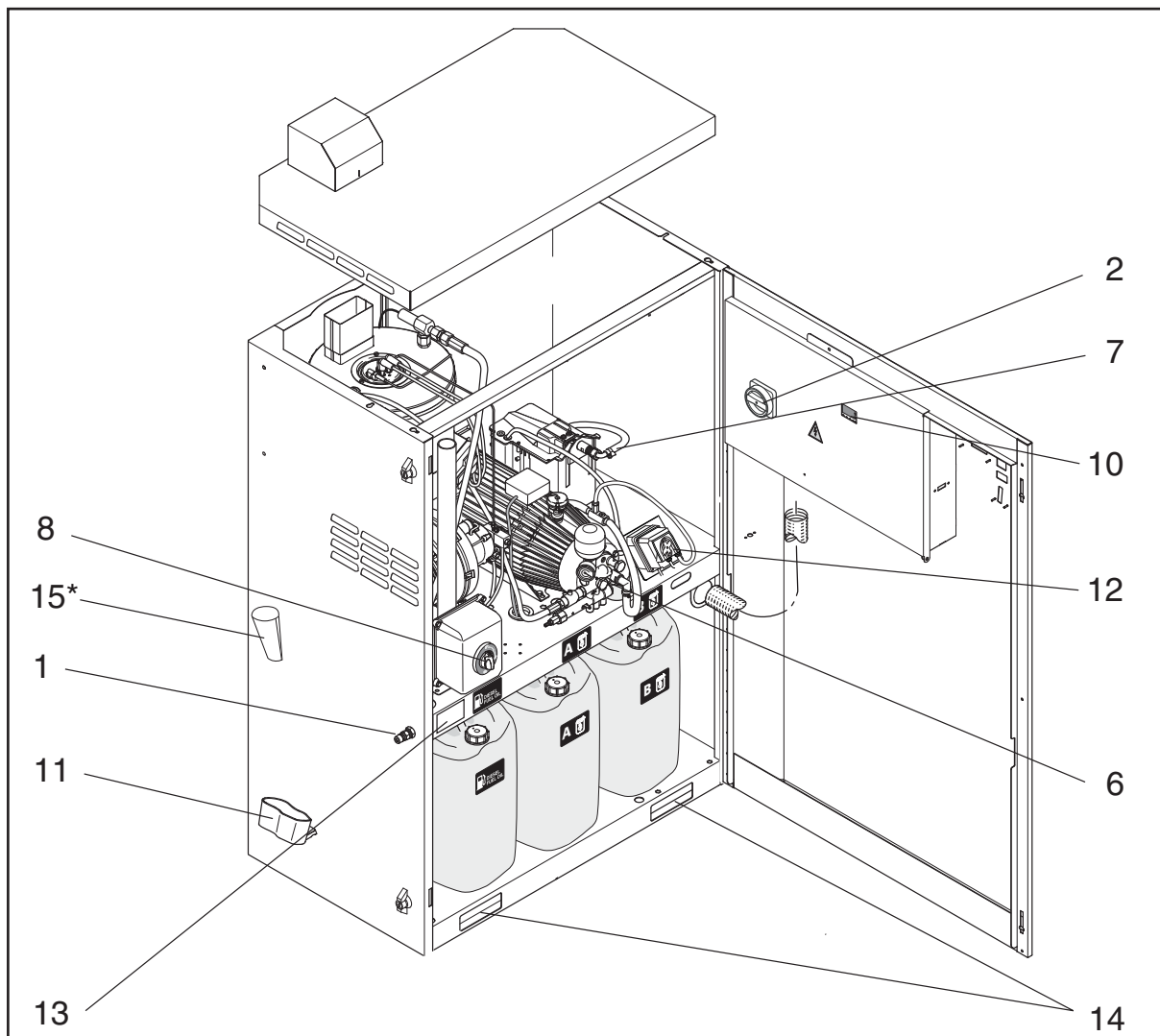
9 Warranty

Your Nilfisk product is guaranteed for 12 months from date of purchase (purchase receipt must be presented) on the following conditions:

- that defects are attributable to flaws or defects in materials or workmanship. (Usual wear and tear as well as misuse are not covered by the guarantee).
- that repairs have not been carried out or attempted by other than Nilfisk-trained service staff.
- that only original accessories have been applied.
- that the product has not been exposed to abuse such as knocks, bumps or frost.
- that the instructions in the manual have been carefully observed.

A warranty repair comprises the replacement of defective parts, but it does not cover freight and packaging charges. Besides we refer to national Sale of Goods Act.

Any **illegitimate** guarantee repair will be invoiced. (I.e. malfunctions due to **causes** mentioned in section "7.0 Trouble shooting" of the instruction manual).



* Option



HEAD QUARTER

DENMARK

Nilfisk A/S
Kornmarksvej 1
DK-2605 Brøndby
Tel.: (+45) 4323 8100
www.nilfisk.com

SALES COMPANIES

ARGENTINA

Nilfisk Argentina
Herrera 1855 Piso 4° B Ofic 405
Ciudad de Buenos Aires
Tel.: (+54) 11 6091 1576
www.nilfisk.com.ar

AUSTRALIA

Nilfisk Pty Ltd
Unit 1/13 Bessemer Street
Blacktown NSW 2148
Tel.: (+61) 2 98348100
www.nilfisk.com.au

AUSTRIA

Nilfisk GmbH
Metzgerstrasse 68
5101 Bergheim bei Salzburg
Tel.: (+43) 662 456 400 90
www.nilfisk.at

BELGIUM

Nilfisk n.v.-s.a.
Riverside Business Park
Boulevard Internationaalelaan 55
Bâtiment C3/C4 Gebouw
Bruxelles 1070
Tel.: (+32) 24 67 60 50
www.nilfisk.be

BRAZIL

Nilfisk do Brasil
Av. Eng. Luis Carlos Berrini, 550
40 Andar, Sala 03
SP - 04571-000 Sao Paulo
Tel.: (+11) 3959-0300 / 3945-4744
www.nilfisk.com.br

CANADA

Nilfisk Canada Company
240 Superior Boulevard
Mississauga, Ontario L5T 2L2
Tel.: (+1) 800-668-8400
www.nilfisk.ca

CHILE

Nilfisk S.A. (Comercial KCS Ltda)
Salar de Lamara 822
8320000 Santiago
Tel.: (+56) 2684 5000
www.nilfisk.cl

CHINA

Nilfisk
4189 Yindu Road
Xinzhuang Industrial Park
201108 Shanghai
Tel.: (+86) 21 3323 2000
www.nilfisk.cn

CZECH REPUBLIC

Nilfisk s.r.o.
VGP Park Horní Počernice
Do Čertous 1/2658
193 00 Praha 9
Tel.: (+420) 244 090 912
www.nilfisk.cz

DENMARK

Nilfisk Danmark A/S
Industrivej 1
Hadsund, DK-9560
Tel.: 72 18 21 20
www.nilfisk.dk

FINLAND

Nilfisk Oy Ab
Koskelontie 23 E
02920 Espoo
Tel.: (+358) 207 890 600
www.nilfisk.fi

FRANCE

Nilfisk SAS
26 Avenue de la Baltique
Villebon sur Yvette
91978 Courtabouef Cedex
Tel.: (+33) 169 59 87 00
www.nilfisk.fr

GERMANY

Nilfisk GmbH
Guido-Oberdorfer-Straße 2-10
89287 Bellenberg
Tel.: (+49) (0)7306/72-444
www.nilfisk.de

GREECE

Nilfisk A.E.
Αναπαύσεως 29
Κορωπί T.K. 194 00
Tel.: (30) 210 9119 600
www.nilfisk.gr

HOLLAND

Nilfisk B.V.
Versterkerstraat 5
1322 AN Almere
Tel.: (+31) 036 5460760
www.nilfisk.nl

HONG KONG

Nilfisk Ltd.
2001 HK Worsted Mills
Industrial Building
31-39, Wo Tong Tsui St.
Kwai Chung, N.T.
Tel.: (+852) 2427 5951
www.nilfisk.com

HUNGARY

Nilfisk Kft.
II. Rákóczi Ferenc út 10
2310 Szigetszentmiklós-Lakihegy
Tel.: (+36) 24 475 550
www.nilfisk.hu

INDIA

Nilfisk India Limited
Pramukh Plaza, 'B' Wing, 4th floor, Unit
No. 403
Cardinal Gracious Road, Chakala
Andheri (East) Mumbai 400 099
Tel.: (+91) 22 6118 8188
www.nilfisk.in

IRELAND

Nilfisk
1 Stokes Place
St. Stephen's Green
Dublin 2
Tel.: (+35) 3 12 94 38 38
www.nilfisk.ie

ITALY

Nilfisk SpA
Strada Comunale della Braglia, 18
26862 Guardamiglio (LO)
Tel.: (+39) (0) 377 414021
www.nilfisk.it

JAPAN

Nilfisk Inc.
1-6-6 Kita-shinyokohama, Kouhoku-ku
Yokohama, 223-0059
Tel.: (+81) 45548 2571
www.nilfisk.com

MALAYSIA

Nilfisk Sdn Bhd
Sd 33, Jalan KIP 10
Taman Perindustrian KIP
Sri Damansara
52200 Kuala Lumpur
Tel.: (60) 3603 627 43 120
www.nilfisk.com

MEXICO

Nilfisk de Mexico, S. de R.L. de C.V.
Pirineos #515 Int.
60-70 Microparque
Industrial WSantiago
76120 Queretaro
Tel.: (+52) (442) 427 77 00
www.nilfisk.com

NEW ZEALAND

Nilfisk Limited
Suite F, Building E
42 Tawa Drive
0632 Albany Auckland
Tel.: (+64) 9 414 1996
Website: www.nilfisk.com

NORWAY

Nilfisk AS
Bjørnerudveien 24
1266 Oslo
Tel.: (+47) 22 75 17 80
www.nilfisk.no

PERU

Nilfisk S.A.C.
Calle Boulevard 162, Of. 703, Lima 33-
Perú
Lima
Tel.: (511) 435-6840
www.nilfisk.com

POLAND

Nilfisk Sp. Z.O.O.
Millenium Logistic Park
ul. 3 Maja 8, Bud. B4
05-800 Pruszków
Tel.: (+48) 22 738 3750
www.nilfisk.pl

PORTUGAL

Nilfisk Lda.
Sintra Business Park
Zona Industrial Da Abrunheira
Edificio 1, 1° A
P2710-089 Sintra
Tel.: (+351) 21 911 2670
www.nilfisk.pt

RUSSIA

Nilfisk LLC
Vyatskaya str. 27, bld. 7/1st
127015 Moscow
Tel.: (+7) 495 783 9602
www.nilfisk.ru

SINGAPORE

Den-Sin
22 Tuas Avenue 2
639453 Singapore
Tel.: (+65) 6268 1006
www.densin.com

SLOVAKIA

Nilfisk s.r.o.
Bancíkovej 1/A
SK-821 03 Bratislava
Tel.: (+421) 910 222 928
www.nilfisk.sk

SOUTH AFRICA

Nilfisk (Pty) Ltd
Kimbult Office Park
9 Zeiss Road
Laser Park
Honeydew
Johannesburg
Tel: +27118014600
www.nilfisk.co.za

SOUTH KOREA

Nilfisk Korea
3F Duksoo B/D, 317-15
Sungsoo-Dong 2Ga
Sungdong-Gu, Seoul
Tel.: (+82) 2497 8636
www.nilfisk.co.kr

SPAIN

Nilfisk S.A.
Torre d'Ara,
Passeig del Rengle, 5 Plta. 10ª
08302 Mataró
Tel.: (34) 93 741 2400
www.nilfisk.es

SWEDEN

Nilfisk AB
Taljegårdsgatan 4
431 53 Mölndal
Tel.: (+46) 31 706 73 00
www.nilfisk.se

SWITZERLAND

Nilfisk AG
Ringstrasse 19
Kircheberg/Industri Stelz
9500 Wil
Tel.: (+41) 71 92 38 444
www.nilfisk.ch

TAIWAN

Nilfisk Ltd
Taiwan Branch (H.K)
No. 5, Wan Fang Road
Taipei
Tel.: (+88) 6227 00 22 68
www.nilfisk.tw

THAILAND

Nilfisk Co. Ltd.
89 Soi Chokechai-Ruammitr
Viphavadee-Rangsit Road
Ladyao, Jatuchak, Bangkok 10900
Tel.: (+66) 2275 5630
www.nilfisk.co.th

TURKEY

Nilfisk A.S.
Serifali Mh. Bayraktar Bulv. Sehit Sk. No:7
Ümraniye, 34775 Istanbul
Tel.: +90 216 466 94 94
www.nilfisk.com.tr

UNITED ARAB EMIRATES

Nilfisk Middle East Branch
SAIF-Zone
P.O. Box 122298
Sharjah
Tel.: (+971) (0) 655-78813
www.nilfisk.com

UNITED KINGDOM

Nilfisk Ltd.
Nilfisk House, Bowerbank Way
Gilwilly Industrial Estate, Penrith
Cumbria CA11 9BQ
Tel.: (+44) (0) 1768 868995
www.nilfisk.co.uk

UNITED STATES

Nilfisk, Inc.
9435 Winnetka Ave N,
Brooklyn Park
MN- 55445
www.nilfisk.com

VIETNAM

Nilfisk Vietnam
No. 51 Doc Ngu Str.
P. Vinh Phuc, Q.Ba Dinh
Hanoi
Tel.: (+84) 761 5642
www.nilfisk.com